

Models and accessories

MOLOK®

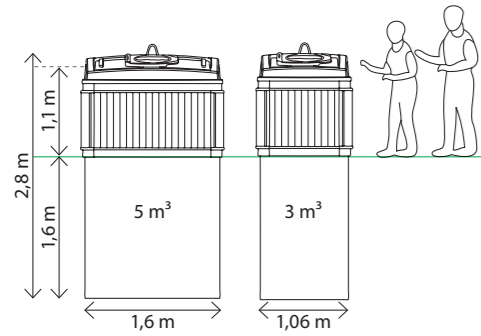


Molok® Classic
Molok® Domino



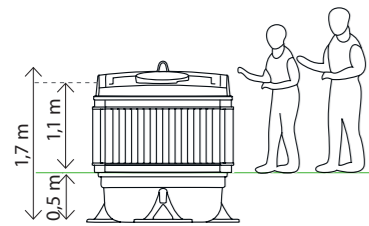
Molok® Domino Models and accessories

Molok® Domino

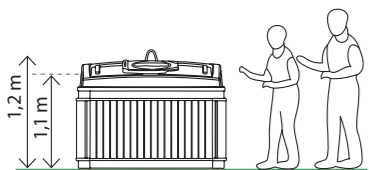


Capacity	Container division options	Filling opening dimensions max.	Lifting equipment options	Additional information
5 m ³	1/1	500 x 500 mm	Lifting bag Reinforced lifting bag for glass	Body material fibre reinforced concrete
2,4 m ³	1/2	430 x 370 mm		
3,2 m ³	2/3	500 x 500 mm		
1,6 m ³	1/3	290 x 390 mm	Lifting containers for collecting e.g. biowaste or wetter waste	
3 m ³	1/1	500 x 500 mm		
	1/2	290 x 390 mm		
3 m ³	1/1	500 x 500 mm	Lifting bag Reinforced lifting bag for glass	Body material HDPE
1,5 m ³	1/2	430 x 370 mm		
2,2 m ³	2/3	500 x 500 mm		
0,5 m ³	1/3	290 x 390 mm	Lifting containers	1/3 always with lifting container
2,5 m ³	1/1	500 x 500 mm	Lifting bag Reinforced lifting bag for glass	Body material HDPE
1 m ³	1/2	430 x 370 mm		
1,5 m ³	2/3	500 x 500 mm		
0,5 m ³	1/3	290 x 390 mm	Lifting containers	1/3 always with lifting container

Molok® Domino Plus



Molok® Domino Light



Note: Body dimensions without framing.
Dimensions are indicative.

Lid options



Standard lid



Vertical lid



Drum lid



Fire protection lid

The main lid is black. The colour options of the filling lids can be found below in the brochure.
Accessories for filling lids: Locking and holding magnet (recommended in windy conditions)

Drum lid

Drum options



35 litres HDPE
60 litres HDPE (standard)
80 litres Aluminium

Service hatch



Service hatch as standard
• at the rear of the lid
• for visual inspection
• equipped with a triangular lock

Filling lid

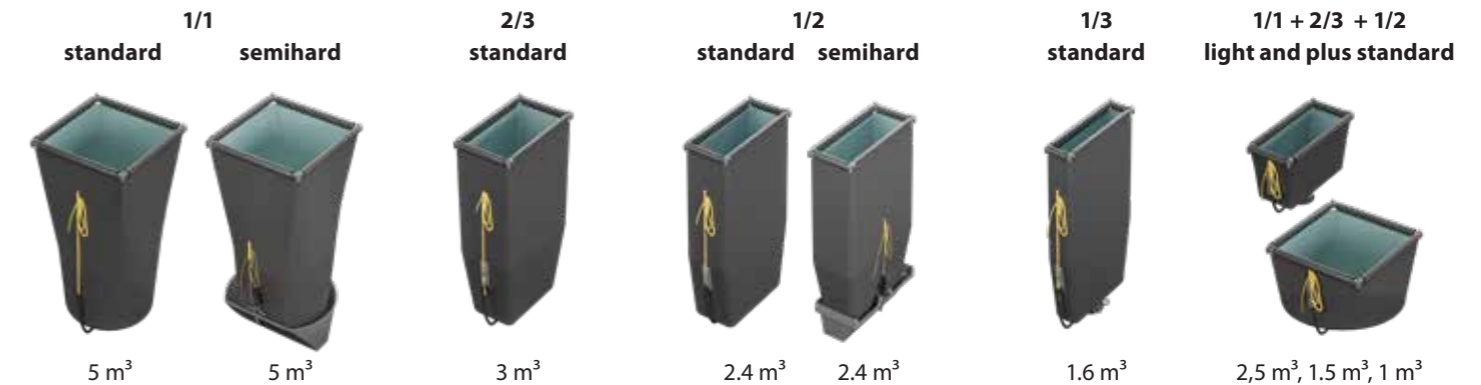


The easy-to-use filling lid has a magnetic latch that keeps the lid open when adding waste.

Collection equipment options

Glass bags for the most common container sizes.

Lifting bags

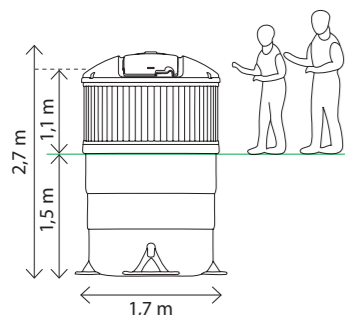


Lifting containers



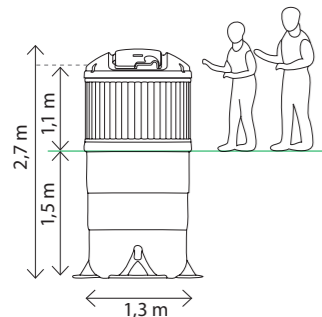
Molok® Classic Models and accessories

Molok® Classic 5 m³



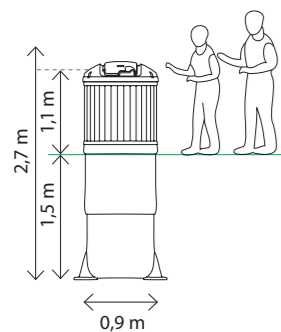
Capacity	Container division options	Dimensions of the opening	Lifting equipment options	Suitable waste fractions
5 m ³	1/1	Filling hole size min. 100 x 350 mm, max. Ø 600 mm	Lifting bag Reinforced lifting bag for glass	Mixed waste, paper, cardboard, textiles and plastic packaging
2,4 m ³	1/2		Lifting container KSS5	

Molok® Classic 3 m³



Capacity	Container division options	Dimensions of the opening	Lifting equipment options	Suitable waste fractions
3 m ³		Filling hole size min. 100 x 350 mm, max. Ø 450 mm	Lifting bag Reinforced lifting bag for glass	Mixed waste, paper, cardboard, metal, glass, textiles and plastic packaging
			Lifting container KSS3	

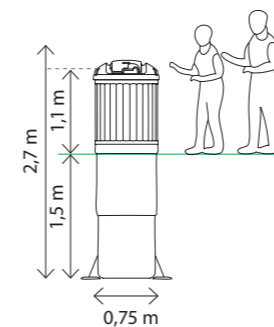
Molok® Classic 1,3 m³



Capacity	Container division options	Dimensions of the opening	Lifting equipment options	Suitable waste fractions
1,3 m ³		Filling hole size min. 60 x 265 mm, max. Ø 300 mm	Lifting bag Reinforced lifting bag for glass	Litter (in parks), glass, metal, biowaste and paper
			BioSystem KS 800/1300 for biowaste collection	

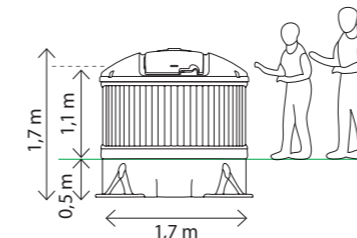
Dimensions are indicative.

Molok® Classic 800 l



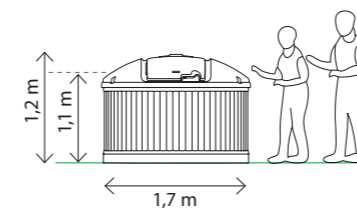
Capacity	Container division options	Dimensions of the opening	Lifting equipment options	Suitable waste fractions
800 l		Filling hole size min. Ø 170 mm, max. Ø 250 mm	Lifting bag Reinforced lifting bag for glass	Litter (in parks), glass, metal and biowaste
			BioSystem KS 500/800 for biowaste collection	

Molok® Classic Plus



Capacity	Container division options	Dimensions of the opening	Lifting equipment options	Suitable waste fractions
3 m ³		Filling hole size min. 100 x 350 mm, max. Ø 600 mm	Lifting bag Reinforced lifting bag for glass	Mixed waste, paper, metal and glass

Molok® Classic Light



Capacity	Container division options	Dimensions of the opening	Lifting equipment options	Suitable waste fractions
2 m ³	1/1	Filling hole size min. 100 x 350 mm, max. Ø 600 mm	Lifting bag Reinforced lifting bag for glass	Mixed waste, paper, metal and glass
1 m ³	1/2			

Dimensions are indicative.

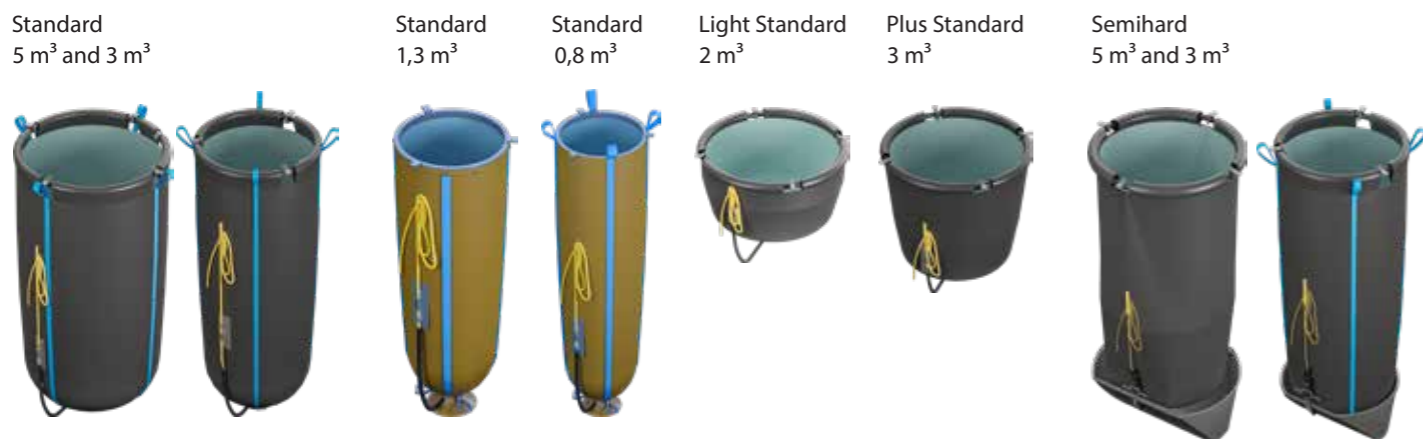
Lid options



The main lid is black. The colour options of the filling lids can be found below in the brochure.
Accessories for filling lids: Locking and holding magnet (recommended in windy conditions)

Collection equipment options

Glass bags for the most common container sizes.



Twin 2,4 m³ 1 m³ 2,35 m³ BioSystem KS800/1300 BioSystem KS500/800 KSS5 lifting container KSS3 lifting container



Available for 5 m³ and Light containers.

BioSystem lifting containers:

- for biowaste, metal and glass
- 800 l lifting container for 1.3 m³ container
- 500 l lifting container for 800 l container
- BioSystem 800/1300 also available as 2-hook version

KSS lifting containers:

- 4 200 l lifting container for 5 m³ container
- 2 500 l lifting container for 3 m³ container

Lifting options for KSS lifting containers:

- 1-hook as standard
- Also available in Kinshofer, 2-hook and lifting loop models.

Framing options



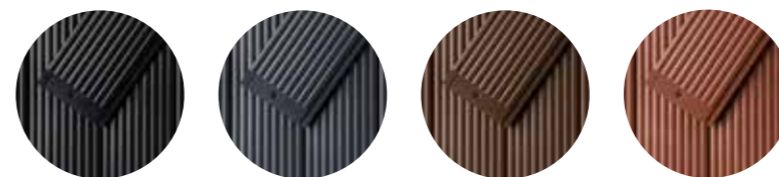
EcoFrame
Recycled plastic
4 colours

AluFrame
Aluminium
Natural and RAL colours

PrintFrame
Structure panel
Customizable printing

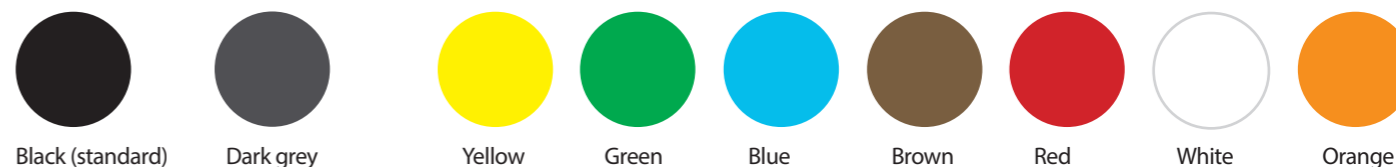
CustomFrame
Customizable material

EcoFrame colours



Midnight black Graphite grey Coffee brown Brick brown

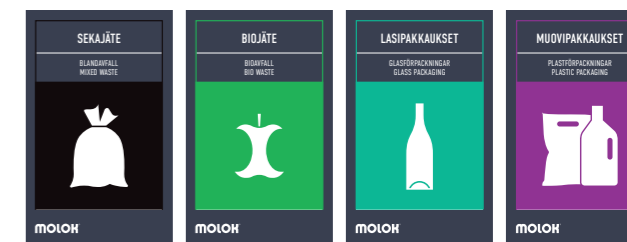
Colour options for filling lids



The colours are indicative.

Waste fraction symbols for signs

Waste fraction symbols make it easier to sort and recycle waste: each waste fraction has its own symbol. The symbols encourage people to recycle. When the bin is clearly labelled, it is easy to sort waste.





We are here to help you – contact a trusted Molok advisor in your area

We will help you with waste planning and sizing (right capacity) and ensure that collection takes place in accordance with legislation and regional waste management regulations.

